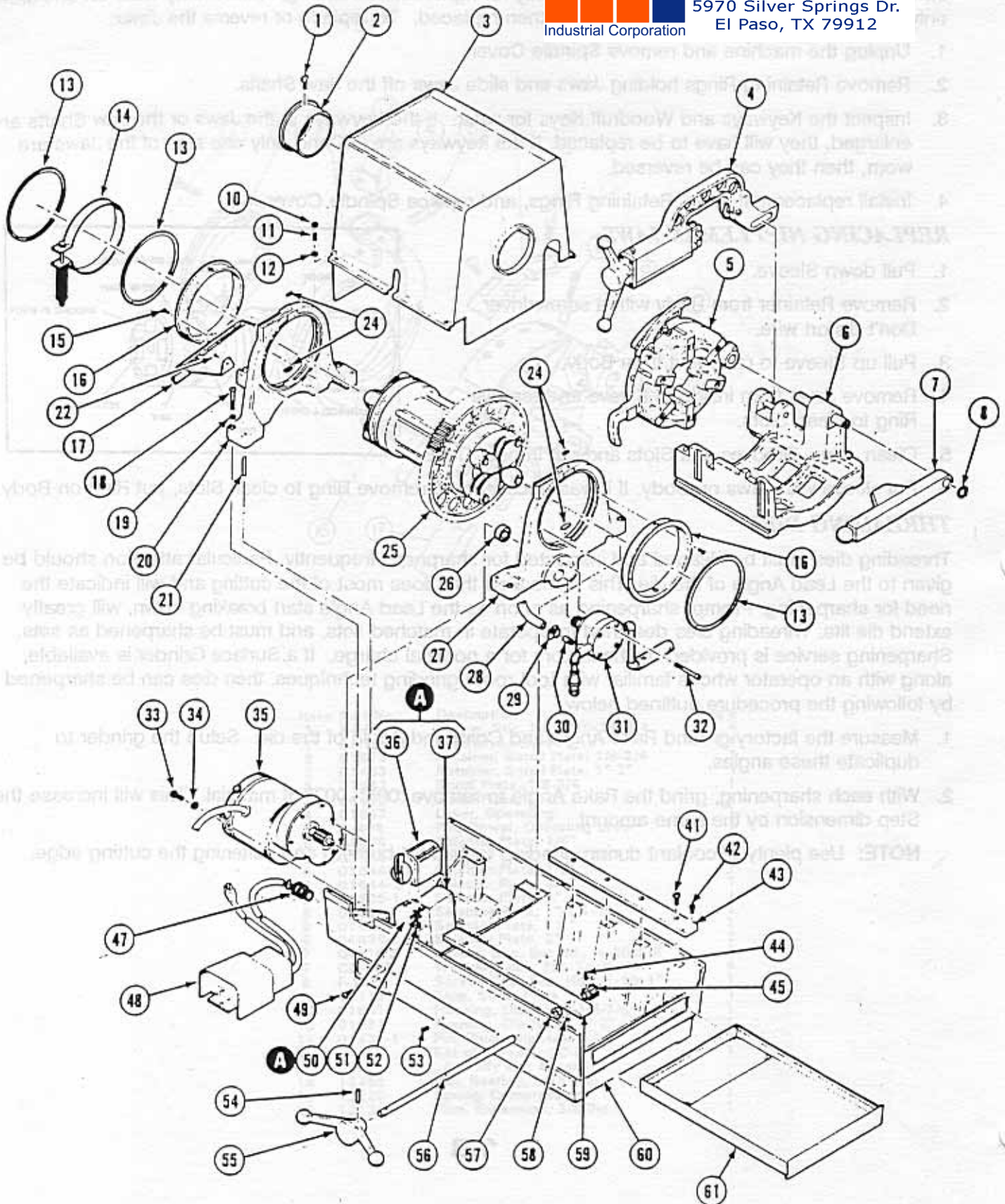


STANDARD SINGLE PHASE SM4000 MAIN ASSEMBLY



www.cscindustrial.com
 Ph: 1-866-496-7268
 Fax: 1-915-760-4832
 5970 Silver Springs Dr.
 El Paso, TX 79912



STANDARD SM 4000 MAIN ASSEMBLY

Item	Part No.	Qty	Description
1.	03404	1	Thumbscrew, 3/8-16x1
2.	12548	1	Adapter, Small Pipe
3.	20317	1	Cover, Spindle
4.	20160	1	Cutter Assy, 1/2-4
5.	20200	1	Die Head Assy, 2 1/2-4
6.	20150	1	Carriage Assy.
7.	20170	1	Reamer Assy, 2 1/2-4
8.	Y-5100-87	1	Ring, Retaining
10.	B-354-P	4	Nut, Acorn, 1/4-20
11.	H-110-D	4	Setscrew, 1/4-20x1
12.	C-109-MP	4	Lockwasher, 1/4
13.	YKSA-775	3	Ring, Retaining
14.	20314	1	Brake Assy.
15.	P-703-H	4	Pin, Grooved, 3/16x5/8
16.	20308	2	Bearing, Spindle
17.	01244	1	Shield, Motor
18.	F-509-S	4	Screw, SHdCap, 1/2-13x2
19.	C-113-M	4	Washer, Lock, 1/2
20.	20311	1	Spindle Block, Rear
21.	O-509	4	Pin, Dowel, 3/8x2
22.	NF-503-F	2	Screw, Slf Tap, #10-24x1/2
24.	12006	4	Wick, Lube Oil
25.	20054	1	Spindle Assy, Std.
26.	01018-1	1	Bearing, Ball, 203SZZ
27.	20310	1	Spindle Block, Front
28.	20061-24	1	Tubing, Ctg Oil, 24"
29.	04514-10	2	Clamp, Ctg Oil Tube
30.	20068	2	Fitting, Ctg Oil Tube
31.	20067	1	Pump Assy.
32.	F-112-SL	1	Screw, SHdCap, 1/4-20x7/8
33.	F-206	2	Screw, SHdCap, 5/16-18x1
34.	C-110	2	Washer, Lock, 5/16
35.	20040	1	Gearmotor Assy, 115V.
	20041	1	Gearmotor Assy, 230V.
36.	01221	1	Controller, 115V/230V..
37.	01345-1	1	Resistor Assy, 115V.
	01346-1	1	Resistor Assy, 230V.
41.	E-206	8	Screw, FltHd, 5/16-18x1
42.	F-103	2	Screw, SHdCap, 1/4-20x1/2

Item	Part No.	Qty	Description
43.	20108	1	Rail, Base, Rear
44.	U-715	1	Pin, Spring, 3/16x1
45.	20111	1	Gear, Spur, 12T.
47.	01376	1	Bushing, Strm Relief
48.	20016	1	Switch&Cord Assy, 115V.
	20015	1	Switch&Cord Assy, 230V.
49.	G-107	2	Screw, BHdCap, 1/4-20x1
50.	20105	1	Bracket, Switch&Resistor
51.	C-109-M	2	Washer, Lock, 1/4
52.	L-1100	2	Screw, SltdRdHd, 1/4-20x1/4
53.	01020	1	Plug, Pipe, Drain, 3/8
54.	P-906-A	1	Pin, Grooved, 1/4x1x 3/8
55.	20113	1	Handle, Oprng, Carriage
56.	20109	1	Shaft, Carriage
57.	20112	1	Collar, Carriage Shaft
58.	H-102-D	1	Setscrew, 1/4-20x1/4
59.	20107	1	Rail, Base, Front
60.	20101	1	Base
61.	20110	1	Tray, Chip

Items not shown in the illustration

-	13735	1	Lubricator Pump.
	See Detailed Lube Pump Assy #20080		
-	20035	1	Switch, Limit, Carriage
-	K-961	1	Screw, SltdFilHd, #10-32x1

Optional Items. See Wiring Diagram

--	20190	1	Meter, Hour, 115V. 60Hz.
--	20191	1	Meter, Hour, 230V. 50Hz.
--	20106	1	Bracket, Hour Meter Mtg.
--	H-108-D	2	Setscrew, 1/4-20x3/4
--	B-354-P	2	Nut, Acorn, 1/4-20
--	20036	1	Filter, Radio Interf.
--	G-051	2	Screw, BHdCap, #10-24x1/2
--	B-132	2	Nut, Hex, #10-24
--	20037	1	System-on Light, 115V.
--	20038	1	System-on Light, 230V.



www.cscindustrial.com
Ph: 1-866-496-7268
Fax: 1-915-760-4832
5970 Silver Springs Dr.
El Paso, TX 79912